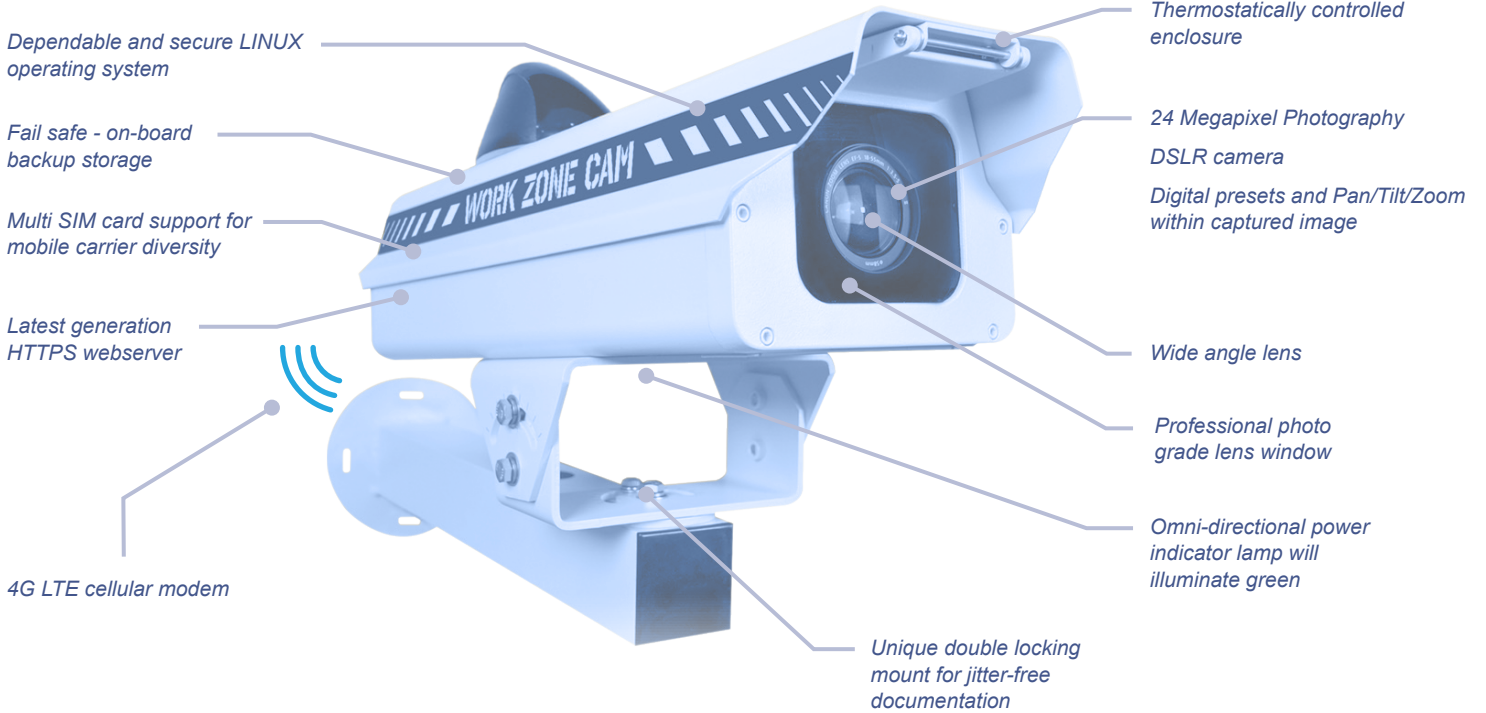


Bid Specification

Video Monitoring and Documentation

Work Zone Cam Pro



Specification includes camera system and managed services



iOS and Android App



Current and Historical Weather Data



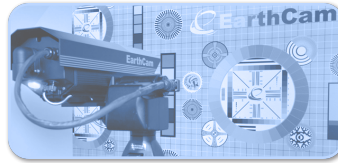
AI Media Dashboard



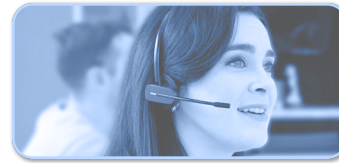
Fail Safe On-Board Backup Storage



Installation and Maintenance



Quality Control and Maintenance



Full Service Support



AI-Edited Time-Lapse Videos

Additional services included



EarthCam.net
The Webcam Technology Experts

1-800-EARTHCAM
www.earthcam.net/contactus



EarthCam Work Zone Cam Pro Model # WZ24PRO

01.32.36 Video Monitoring and Documentation Bid Specification

1. The Contractor shall provide a High Definition Megapixel Web Camera which shall provide a full view of the work area on the construction jobsite. The Web Camera shall allow users to remotely view the project on a secure connection via a network connection.
CONTACT SYSTEM VENDOR: EarthCam / Brian Cury +1 201.488.1111 Email: WWW.EARTHCAM.NET/CONTACTUS
2. The camera shall meet or exceed the following requirements:
 - 2.1 Thermostatically controlled enclosure
 - 2.2 Powder coated aluminum housing with stainless steel fittings for padlocks
 - 2.3 DSLR camera with 24 Megapixel images (6000 x 4000 pixels), ASP-C Imager
 - 2.4 Angle of view: wide 96° horizontal - 73° vertical, full zoom 22° horizontal – 15° vertical
 - 2.5 Auto Features: ISO speed, metering mode, white balance, and focus
 - 2.6 EF-S 10-22mm f/3.5-4.5 ultrasonic motor lens
 - 2.7 Professional photo grade lens window
 - 2.8 Omni-directional power indicator lamp will illuminate green
 - 2.9 Two UL rated compression glands, gas spring lid, adjustable camera sled
 - 2.10 Compression: JPEG/RAW
 - 2.11 32GB onboard storage
 - 2.12 Communications: 10base-T/100base-TX Ethernet, IP Addressing: Dynamic or Static
 - 2.13 Wireless Cellular 4G LTE Modem with GPS and antenna
 - 2.14 Multi SIM card support for mobile carrier diversity
 - 2.15 4W @ 120VAC, 230VAC or 12VDC Solar Power
 - 2.16 Battery, LiFePO4 chemistry, 9.9Ah
3. Internet Based Online Interface: The camera will be accessible via an internet based Software as a Service (SaaS) solution. This online interface will be managed and supported by the System Vendor. The service will be available for the term of the project and allow the viewing of live video and High Definition digital still images captured and stored of the project on both mobile and desktop platforms.
The Internet Based Online Interface shall include the following features:
 - 3.1 Responsive HTML5 design for cross-platform access on desktop and mobile devices
 - 3.2 Display project name and logo
 - 3.3 Project Dashboard allows easy navigation between multiple cameras and projects
 - 3.4 Digital Pan, Tilt and Zoom capability within a High Definition image
 - 3.5 Visual timeline with quick thumbnail view allows image navigation by year, month, day and hour
 - 3.6 AI-edited time-lapse technology removes frames obscured by foreign objects or weather elements, with music and graphics then added for downloadable presentations
 - 3.7 Photo Filters and Graphical Markup Tools for detailing and creating notes with graphical overlays on images, including project title, logo and time date stamp
 - 3.8 Image Comparison Tool for comparing two images taken at different times, overlaid on top of each other
 - 3.9 Share Image Tool for saving, printing, emailing and posting to Hall of Fame
 - 3.10 Project Management Software integration (Autodesk Construction Cloud, Autodesk Build, CMiC, Esri, InEight, Infotech, Procore, Projectmates, Raken, Salesforce)
 - 3.11 3D/4D Model Integration (Autodesk Navisworks, Autodesk Revit, Bentley Synchro)
 - 3.12 Social Media Integration Tools for sharing project images and notes
 - 3.13 Automatically generated daily/weekly project progress update email with camera image and weather
 - 3.14 AI Media Dashboard – Interactive charts display AI-detected events and observations
 - 3.15 Graphical Weather applet displaying local weather data with satellite and updating radar imaging
 - 3.16 Integration of maps, aerial and satellite imagery
 - 3.17 Graphical Data Management Tools showing archived and current system status of solar amperage, battery power remaining, wireless radio connectivity, and device location
4. Access to account protected by Account Security feature which includes four levels of password protection, IP address block/permission and SSL protection of user login password.
5. The system shall be capable of capture and upload images 24/7.
6. The system shall have M2M – Machine to Machine 24/7 Support with active self-healing technology and automatic software upgrades to maintain the quality, consistency and reliability of all images.
7. Images will be maintained on the System Vendor's servers for reference available at all times during the life of the project and for no less than 60 days after completion. All images will be protected on servers owned and operated by the System Vendor and located in a secure area at the System Vendor's location.
8. The Contractor shall provide all service and maintenance, including cleaning, of the camera system throughout the life of the project including making appropriate arrangements for camera to remain in operation up to and through finalization of all structural, landscaping and "completed state" condition necessary for beginning-to-end time-lapse record.
9. The System Vendor shall provide custom public website development. Website shall be separate from the Online Interface, match the look and colors of the project's website, and be delivered as embed code or standalone web page. Additional features include Facebook and Twitter integration, full screen mode, image comparison, weather, multiple logos, graphical background image and project description.
10. The System Vendor at the end of the project shall provide a comprehensive archive package that includes all images, historical weather data, computer-generated time-lapse movies and a royalty-free web-based viewer software. The software shall include the same interactive interface as the live camera during the project.
11. The System Vendor shall provide time-lapse movie(s) at the end of the project. Time-lapses shall be professionally edited by a video editor using image stabilization software. The movie will start with a graphic, incorporating project title, date and logo. Periods of bad weather or inactivity shall be removed to produce a compelling and consistent movie. A machine edited movie will not be acceptable.
12. The Contractor shall secure a nearby structure for camera mounting or provide a fixed pole (40 foot / 12 meters height recommended) and 3 inch / 8 centimeters minimum diameter as per System Vendor's instruction. The Contractor shall supply all equipment required for safe and secure access to the camera location for technicians performing installation and maintenance services, including building access, bucket truck and/or lift. The System Vendor will consult on and provide recommendations for optimal camera placement and provide professional installation services as required.